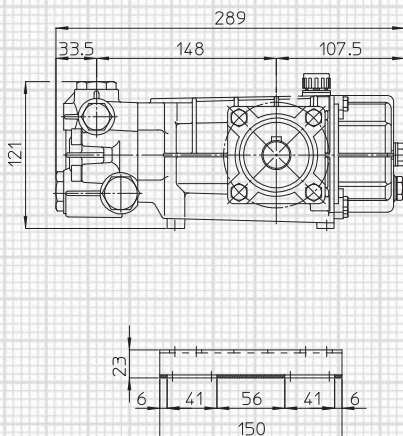


RPM	MODELLO MODEL	PORTATA FLOW		PRESSIONE PRESSURE		POTENZA POWER		PESO WEIGHT	
		l/min	GPM	bar	PSI	HP	kW	Kg	
1450	MKC 13/28 S	13.0	3.4	280	4000	9.3	6.9	10.9	S = Albero Maschio 24 mm S = Male Shaft 24 mm
	MKC 15/24 S	15.0	4.0	240	3500	9.2	6.8	10.9	
	MKC 15/28 S	15.0	4.0	280	4000	10.8	7.9	10.9	
	MKC 18/24 S	18.0	4.8	240	3500	11.1	8.1	10.9	
	MKC 20/24 S	20.0	5.3	240	3500	12.3	9.0	10.9	
3400	MKL 4.0/35 W	15.0	4.0	240	3500	9.2	6.8	11.8	W = Albero Cavo 1" (con Flangia M01) W = Hollow Shaft 1" (with Flange M01)
	MKL 4.0/40 W	15.0	4.0	280	4000	10.8	7.9	11.8	
	MKL 5.0/35 W	19.0	5.0	240	3500	11.7	8.6	11.8	

Vedi pag. 38-39 - See pag. 38-39

Dimensioni d'ingombro (mm) - Overall Dimensions (mm)

serie/series MK



serie/series M

